

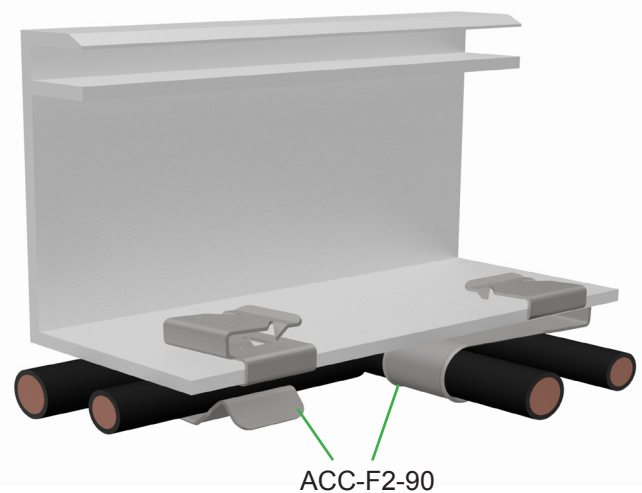


ACC-F2-90

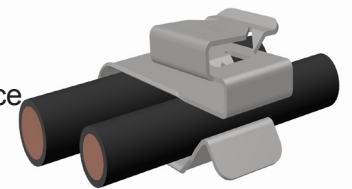
Wire Management Clip

The ACC-F2-90 clip is innovatively designed to provide a cleaner aesthetic to PV arrays. The clip is primarily used on modules and accommodates 2 large diameter PV cables, 2 micro inverter cables, 2 AC module cables or 1 trunk cable. The ACC-F2-90 may hold wires in two different orientations; parallel or perpendicular to the module frame. The locking tabs on the ACC-F2-90 secures the clip on to the module which can be removed by a flat head screwdriver and reused. Coined edges protect the wire insulation from becoming damaged.

Catalog #	Item #
ACC-F2-90	50042501



- Innovative labor saving design that allows for quick and easy installations
- High quality wire management solutions
- Accommodates 2 large diameter PV cables, 2 micro inverter cables, 2 AC module cables or 1 trunk cable
- Wire diameters - 1 wire: Max 0.551" [14mm] / 2 wires: Max 0.433" [11mm]
- Compatible on modules with a flange thickness range of 1.3 to 2.5mm
- May be installed parallel or perpendicular to the module frame
- Corrosion resistant 304 stainless steel provides outstanding durability and performance
- Retains shape during installation to prevent loose cables
- Retention feature allows for a fast, easy and secure installation
- Designed to prevent damage to cable insulation
- No tool required for installation
- Recommended for outdoor use
- RoHS Compliant
- Custom designs are available upon request



Customer Service 1-800-346-4175 | International 603-647-5299 | Canada 1-800-387-6487 | www.burndy.com